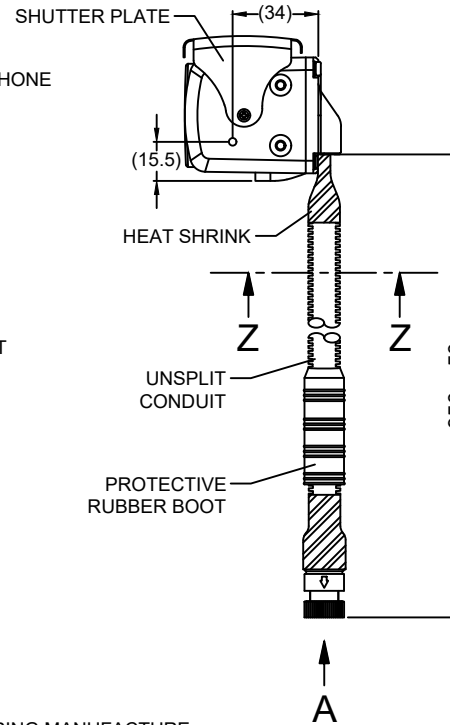
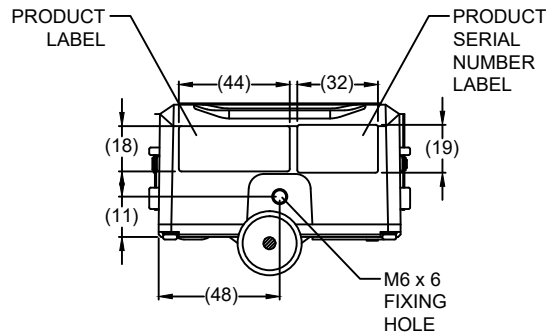
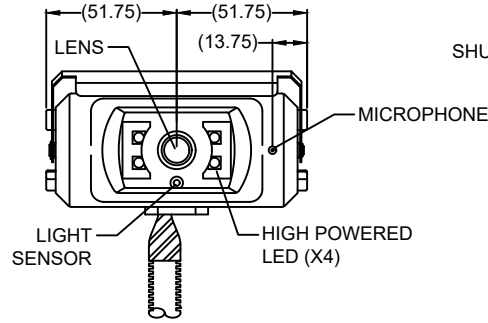
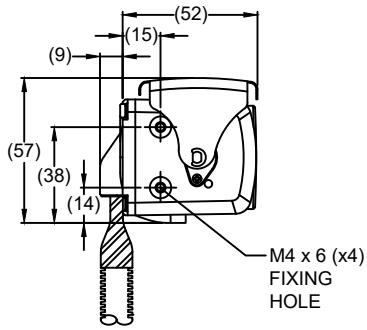
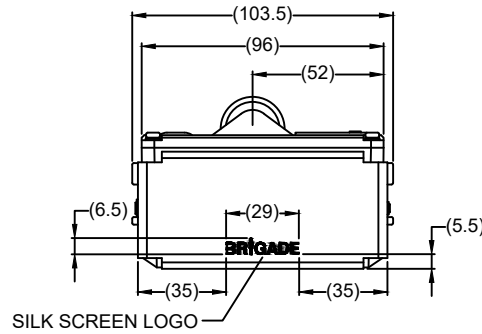


CHANGES FROM BASE PRODUCT VBV-710C-C (3659C) TO VBV-710C-C(CO) (6362)

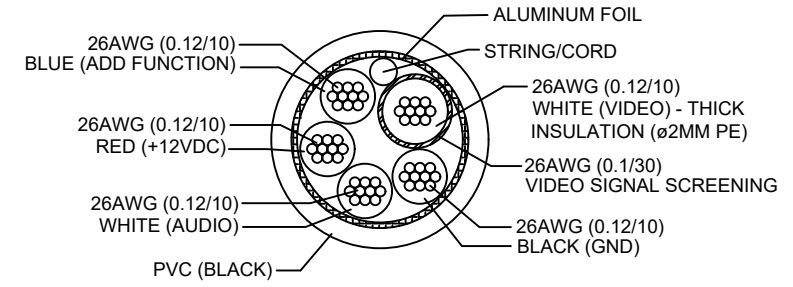
- CHANGE: 1. REMOVE RUBBER GROMMET
 2. REPLACE VBV-710C-C PD LBL WITH VBV-710C-C(CO) PD LBL
 3. ADD UNSPLIT CONDUIT TO FULL LENGTH OF CAMERA CABLE

OPERATION: NO CHANGE TO OPERATION FROM BASE PRODUCT

Revision Notes.				
R1 - DRAWING UPDATED TO CAPTURE ADDITIONAL MOTOR LIMITER AS PER CR-1172A				
APA: J. LAM	Drawn: L. CHEUNG	Checked: A. FOSTER	Approved: S. LAVAL	Date: 02/03/2026

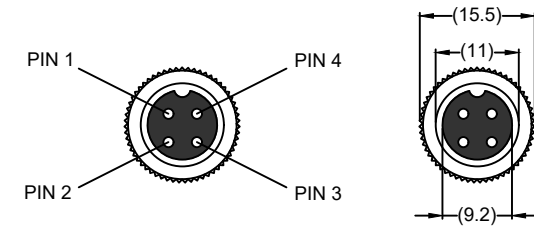


SECTION Z-Z



CABLE BUILDUP

VIEW A



4 PIN FEMALE MATING FACE

PIN #	WIRE COLOUR	DESCRIPTION
1	RED	+12V
2	BLACK/SHIELD	GND
3	WHITE	AUDIO
4	THICK WHITE (ø2MM PE)	VIDEO

- NOTES:
 1. FINISH IS BLACK, BRIGADE LOGO SILKSCREEN IS WHITE
 2. FIRMWARE VERSION OF BASE PRODUCT TO BE PRE-LOADED TO VBV-71XC MAIN BOARD DURING MANUFACTURE
 3. FOR LABEL AND PACKAGING DETAILS REFER TO MASTER BOM.
 4. ANY CUSTOMER MODIFICATION OF THIS PRODUCT CAUSING SUBSEQUENT FAILURE IS NOT A LIABILITY OF BRIGADE ELECTRONICS PLC.

PROPRIETARY NOTICE
 THIS DESIGN AND TECHNICAL INFORMATION APPEARING ON THIS DRAWING IS THE PROPERTY OF BRIGADE ELECTRONICS, AND IS DISCLOSED IN CONFIDENCE. IT IS NOT TO BE COPIED, REPRODUCED, REVEALED TO OR EXPROPRIATED BY OTHERS, EITHER IN WHOLE OR IN PART WITHOUT THE EXPRESS WRITTEN CONSENT OF BRIGADE ELECTRONICS.

Sheet 1 of 1	Assembly Pl Approval J. LAM (08/06/21)	Approved by B. CHILDS	Checked by A. FOSTER	Drawn by J. TYRRELL
Customer Approval N/A	Angle of Projection Third Angle	Units mm	Scale N/A	Released 24/06/21
Status RELEASED		Part No 6362		
Part No 6362		Assembly Ref N/A		
brigade-electronics.com		VBV-710C-C(CO)		
		BE-004476-01-20		

